

**Receiver**

**From**

Society  
Reference  
Address  
Phone  
Fax  
E-mail

**Item n° :**

60165318

**Model :**

GENIX COMFORT 130

**Pump data**

Min. fluid temperature : 0 °C  
Max. fluid temperature : 50 °C  
Max. Ambient temperature : 25 °C  
Min. Temperature operating : 5 °C  
Max Flow : 6,9 m³/h  
Max. Head : 8 m  
Max. Head (EN12050-3) : 6 m

**Requested data**

Flow :  
Head :  
Fluid : Dirty water  
Fluid Temperature : 20 °C  
Density : 0,998 kg/dm³  
Kinematic viscosity : 1 mm²/s  
Vapor pressure :

**Hydraulic data (duty point)**

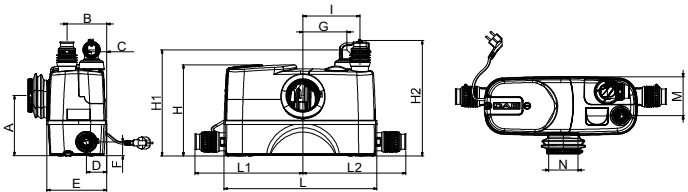
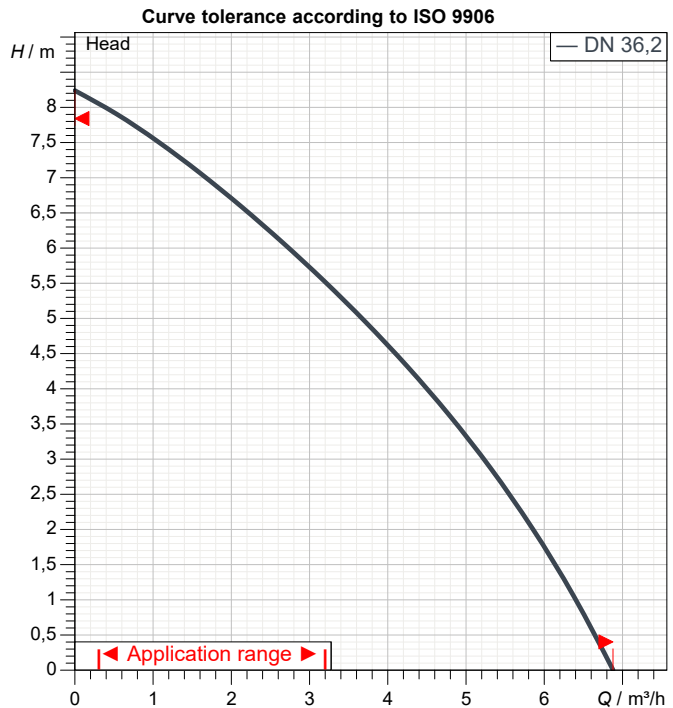
Flow :  
Head :

**Materials**

Impeller : Polypropylene 30% fiber glass  
Tank : Polypropylene 30% Barium  
Shaft : Stainless steel  
Cover : Stainless steel  
Soundproofing (COMFORT) : Polypropylene 70% Barium  
Grinder : AISI 304/420  
OR ring : NBR

**Motor data**

Motor brand : DAB  
Nominal power P2 : 0,32 kW  
Rated speed : 2.900 1/min  
Rated voltage : 1~ 230 V  
Nominal current : 2,3 A  
Degree of protection : IP 44



**Weight :** 12 kg

**Dimensions in mm**

A	183	G	178	L1	322		
B	118	H	277	L2	307		
C	45	H1	323	M	118		
D	60	H2	351	N	87		
E	178	I	170				
F	42	L	456				

**Pump connection**

DN 22/25/28/32/36/40



# PERFORMANCE CURVES

2019-12-03

Page 2 / 3

DAB PUMPS S.p.A.  
Via Marco Polo, 14 - 35035 Mestrino (PD), Italy  
Tel. +39 049 5125000 - Fax +39 049 5125950  
www.dabpumps.com

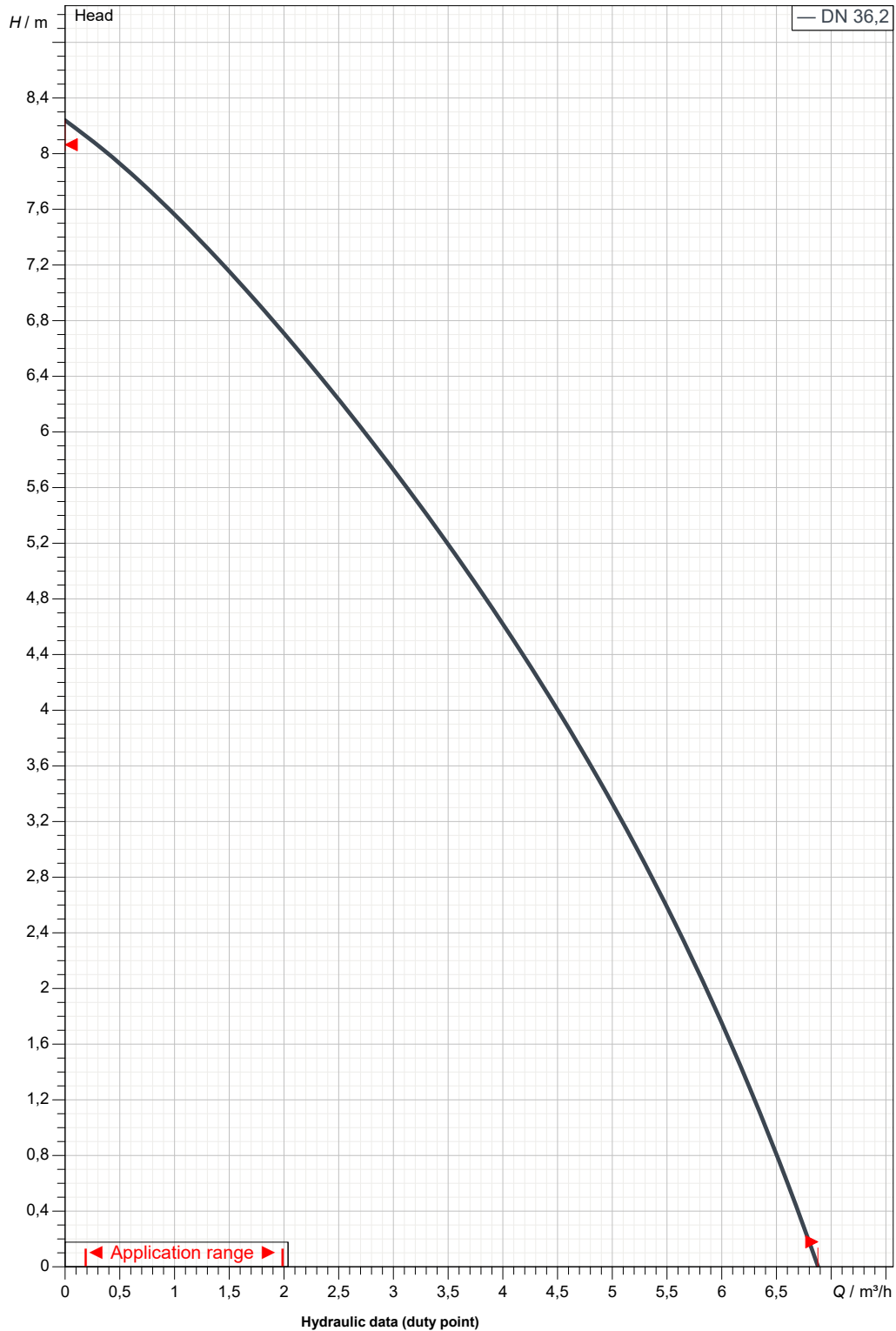
Receiver

From

Society  
Reference  
Address  
Phone  
Fax  
E-mail

## GENIX COMFORT 130

Curve tolerance according to ISO 9906



Suction side :

Discharge side :

Flow :

Head :

Rated speed :

2.900 1/min

MAIN\_PROJECT\_TITLE

BUSINESS\_PROCESS\_ID

Progetto senza titolo 2019-12-03 05:48:34.33:

OWNER\_

ISSUE\_DATE

03/12/2019



# DIMENSIONAL DRAWING

2019-12-03

Page 3 / 3

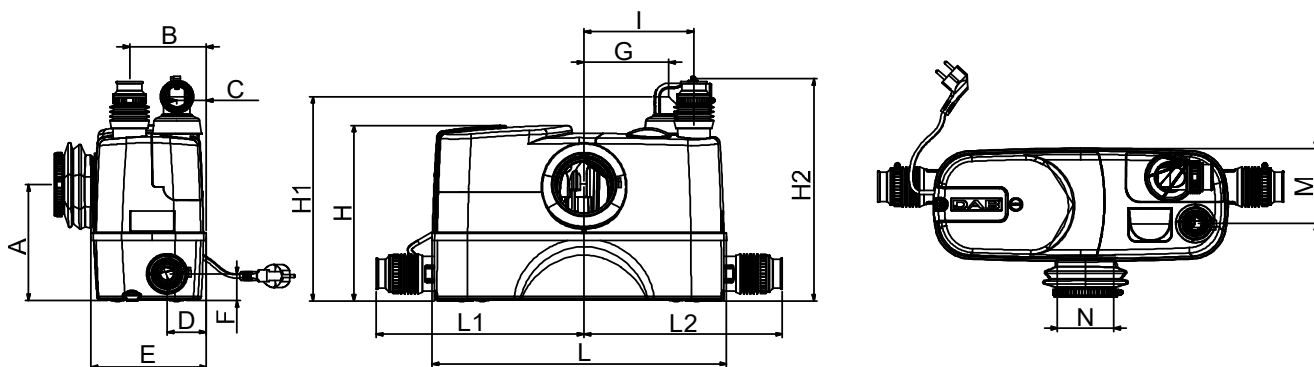
DAB PUMPS S.p.A.  
Via Marco Polo, 14 - 35035 Mestrino (PD), Italy  
Tel. +39 049 5125000 - Fax +39 049 5125950  
www.dabpumps.com

Receiver

From

Society  
Reference  
Address  
Phone  
Fax  
E-mail

## GENIX COMFORT 130



**Dimensions in mm**

**Pump connection**

1	A	183	L1	322						
2	B	118	L2	307						Suction
3	C	45	M	118						
4	D	60	N	87						
5	E	178								
6	F	42								
7	G	178								
8	H	277								Discharge
9	H1	323								
10	H2	351								
11	I	170								
12	L	456								

MAIN\_PROJECT\_TITLE

BUSINESS\_PROCESS\_ID

OWNER\_

ISSUE\_DATE

Progetto senza titolo 2019-12-03 05:48:34.33:

03/12/2019